

Linethrower 250

Art Nos. Complete unit 9160400 · Body and line 9160500 · Rocket 9162700

A self-contained line-throwing appliance consisting of a weatherproof plastic casing with end cap, twist-grip trigger assembly, rocket and line.

To comply with SOLAS requirements, four complete rocket and line assemblies (Art. No. 9160400) should be carried on board. The device has a throwing range of between 230m and 250m. A solid propellant is used which guarantees a highly accurate flight path even in strong sidewinds.



Rocket

Application

The Comet Linethrower 250 is designed for ease of operation in the most extreme weather conditions. It can be used in all situations where a line is required to be passed accurately and quickly, these include:-

- All line-throwing operations at sea between vessels, ship-to-shore, shore-to-ship and shore based rescue services.
- Rescue of swimmers in distress.
- Line carrying across obstacles and rough terrain.

Operation



1. Remove the front cover and point in the desired flight direction.
2. Pull out safety pin.
3. Aim over the top of target. Be prepared for recoil.
4. Turn grip to left or right to fire.
5. If misfire occurs hold unit in firing position for at least 60 seconds, then dispose of overboard.

Product Life

- Body and line kit: 9 years
- Rocket 3 years
- Spare rockets are available to replace consumed or time expired rockets.

Packing & Transport Information

Body and Line, less rocket in packing case,
L 37 cm (14.57 in) x W 27 cm (10.63 in) x H 27 cm (10.63 in)

- Gross weight 4.2 kg (9.26 lb.)
- Net weight 3.6 kg (7.94 lb.)
- Other Information: Non-hazardous

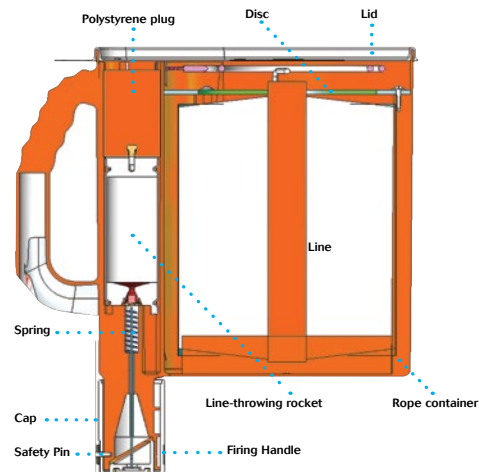
20 Spare Rockets in metal tin in a fibreboard box,
L 37 cm (14.57 in) x W 27 cm (10.63 in) x H 27 cm (10.63 in)

- Gross Weight Max: 12.70 kg (27.99 lb.)
- Net Weight Max: 9.40 kg (20.72 lb.)
- Net Explosive Content per box : 2.36 kg (5.2 lb.)
- Hazard class 1.4G
- UN 0431
- Proper shipping name: Articles, Pyrotechnic
- Other Information: Cargo Aircraft Only

Specifications

Projects a line to a nominal range of 250m in calm conditions.

- Length: 33 cm (13.0")
- Height: 31.3 cm (12.3")
- Diameter: 20.5 cm (8.1")
- Weight: 4.4 kg (9.7 lb.)
- Rocket Weight Max: 472g (1 lb.)
- Explosive Content Max.: 118g (4.16 oz.)
- Line breaking strain: >2 kn



Storage

This compact appliance is ideally stored in a water-resistant locker at ambient temperature allowing easy access in an emergency. The set of 4 appliances normally carried onboard can be dispersed in strategic positions throughout the vessel.

Approvals

Conforms to: BAM-P2-0014, 0589-P2-0016, SOLAS 74 as amended, IMO resolutions MSC. 81(70) Part 1, (MED) 96/98/EC, BGV 424. 002, SAS S010012, USCG - and other major maritime authorities worldwide.



WARNING

- Ejects rocket projectile - do not point at people or property
- Do not fire in a confined space
- Keep out of reach of children
- For emergency use at sea
- If damaged or dented do not use
- Do not dismantle
- Keep away from source of heat
- Do not use after expiry date

DISPOSAL

- Pyrotechnics must be treated as hazardous items and must be disposed of responsibly in accordance with local regulations.
- For help and advice, visit our website www.comet-marine.com